

# Excelon® Quikclamp system LB73G Filter regulator 1/4" ... 1/2"

Excelon design allows in-line installation or modular installation with other Excelon products

High efficiency water and particle removal

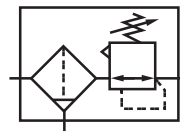
Quick release bayonet bowl

Push to lock adjusting knob with tamper resistant accessory

Prismatic liquid level indicator lens

Wide temperature range

Shock and vibration tested to EN 61373, Category 1, class A and B



## Technical features

### Medium:

Compressed air only

### Pressure range:

0,3 ... 10 bar (5 ... 145 psi)

Other pressure ranges are available contact Norgren

### Maximum inlet pressure:

17 bar (250 psi)

### Filter element:

5 or 40 µm; 25 µm optional

### Gauge ports:

Rc 1/8 for ISO G main ports,

1/4 PTF for PTF main ports

### Drain:

Manual

### Relieving:

Standard

### Ambient temperature:

-40 ... +80°C (-40 ... +175°F)

Air supply must be dry enough

to avoid ice formation at

temperatures below +2°C (+35°F).

### Materials:

Body and bowl: aluminium

Bonnet: zinc

Valve: brass and nitrile

Liquid level indicator lens:

transparent nylon

Element: sintered polypropylene

Elastomers: nitrile

## Technical data

Air port	Flow* dm³/s	scfm	Weight		Model with G-thread		Model with PTF-thread	
			kg	lb	40 µm	5 µm	40 µm	5 µm
1/4"	49	104	0,71	1.56	LB73G-2GK-MD3-RMN	LB73G-2GK-MD1-RMN	LB73G-2AK-MD3-RMN	LB73G-2AK-MD1-RMN
3/8"	50	106	0,71	1.56	LB73G-3GK-MD3-RMN	LB73G-3GK-MD1-RMN	LB73G-3AK-MD3-RMN	LB73G-3AK-MD1-RMN
1/2"	50	106	0,71	1.56	LB73G-4GK-MD3-RMN	LB73G-4GK-MD1-RMN	LB73G-4AK-MD3-RMN	LB73G-4AK-MD1-RMN

\* Typical flow at 10 bar (145 psi) inlet pressure, 6,3 bar (90 psi) set pressure and 0,5 bar (7 psi) droop from set.

## Option selector

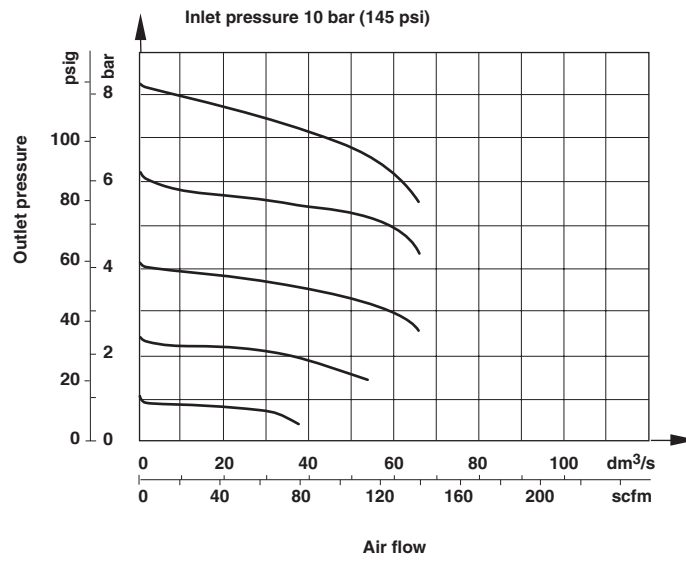
LB73G-★-★-★-MD★-RMN

Port size	Substitute
1/4"	2
3/8"	3
1/2"	4
Threads form	Substitute
PTF	A
ISO G parallel	G

Filter element	Substitute
5 µm	1
25 µm (optional)	2
40 µm	3
Adjustment	Substitute
Knob (standard)	K
T-handle (10 bar, 145 psi)	T

**Flow characteristics**










**LB73G – Port size 3/8", pressure range 0,3 ... 10 bar  
(5 ... 145 psi), 40 µm element**



**Accessories**

**73 series**



Series	Quikclamp with wall bracket*	Quikclamp*	Tamper resistant cover & seal wire	Wall bracket and panel mounting nut	Panel nut (zinc)	Service kit	Service kit	Replacement elements	
									
	1		3	4 5	4			5 µm	40 µm
73	4314-63	4314-62	4455-51	4461-50	5191-88	4383-607	4380-607	4438-01	4438-03

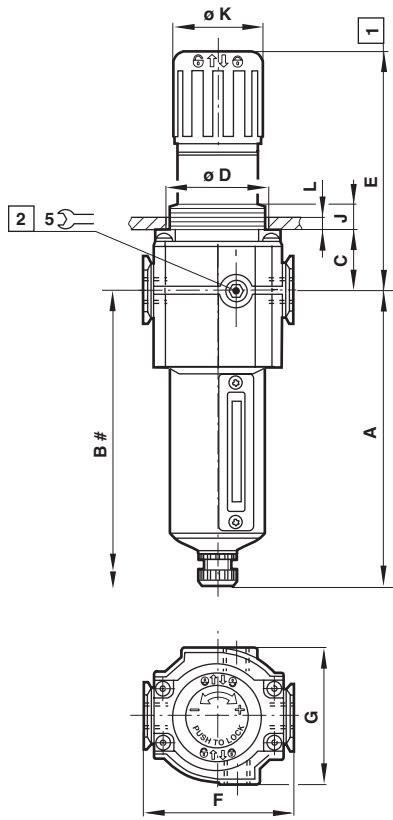
\* Please use a Quikmount pipe adaptor if the Quikclamp be mounted at inlet or outlet side.

Series	Port size	Quikmount pipe adaptor parallel thread	Quikmount pipe adaptor
73	1/4"	4315-09	4315-01
73	3/8"	4315-10	4315-02
73	1/2"	4315-11	4315-03
73	3/4"	4315-12	4315-04

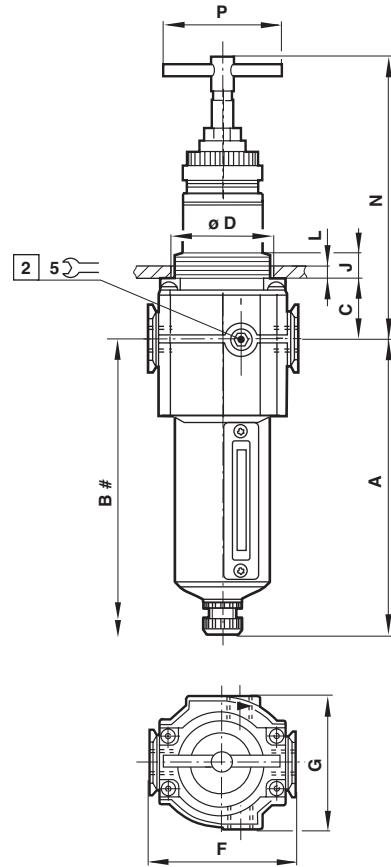
Gauge (for full technical specification see page 4-61)					
Series	Port size	Pressure range in bar	Pressure range in psi	Diameter	Model
73 (ISO G main port)	Rc 1/8	0 ... 10		50 mm	18-013-013
73 (PTF main port)	1/4 PTF		0 ... 160	2"	18-013-209

**Basic dimensions**

**Standard**



**T-handle**



Dimensions shown in mm

Projection/First angle



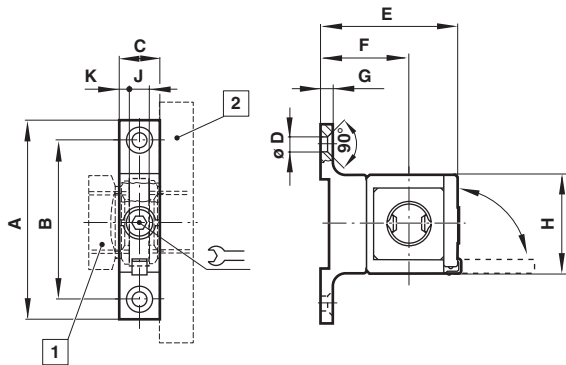
Series	A	B	C	D	E	F	G	J	K	L	N	P
73	150	198	31	48	96	68	62	11	42	2...6	103	63

# Minimum clearance required to remove bowl

1 Reduces by 4 mm with knob in locked position

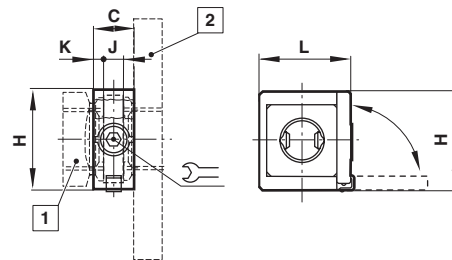
2 Gauge port

### Quikclamp® with wall bracket



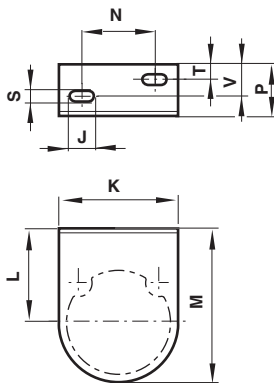
Series	A	B	C	ØD	E	F	G	H	J	K	
73	102	83	24,5	6,5	74	51	6,5	51	13,5	5,5	4

### Quikclamp®



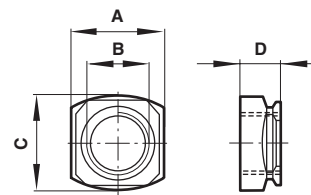
Series	C	H	J	K	L	
73	24,5	51	13,5	5,5	46	4

### Neck mounting bracket



Series	J	K	L	M	N	P	R	S	T	V
73	17	64	38	70	38	38	25	7	13	13

### Quikmount pipe adaptor



Series	A	B	C	D
73	38,5	1/4, 3/8, 1/2, 3/4	38,5	18

### Warning

These products are intended for use in industrial compressed air and rail transport systems only. Do not use these products where pressures and temperatures can exceed those listed under 'Technical features'.  
Before using these products with fluids other than those specified, for non-industrial applications, life-support systems, or other applications not within published specifications, consult NORGREN.

Through misuse, age, or malfunction, components used in fluid power systems can fail in various modes.

The system designer is warned to consider the failure modes of all component parts used in fluid power systems and to provide adequate safeguards to prevent personal injury or damage to equipment in the event of such failure.  
System designers must provide a warning to end users in the system instructional manual if protection against a failure mode cannot be adequately provided.  
System designers and end users are cautioned to review specific warnings found in instruction sheets packed and shipped with these products.